

PIR-TF-25-360 OCCUPANCY SENSOR

for ceiling 360° moutage



- 24V AC/DC
- OFF-delay 10 sec to 30 min
- ON-delay 0 to 10 min
- Alarm output: One changing contact

FUNCTION

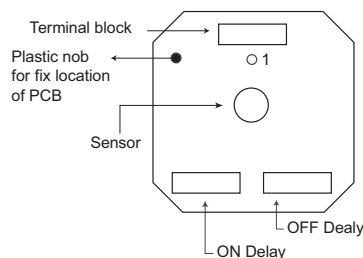
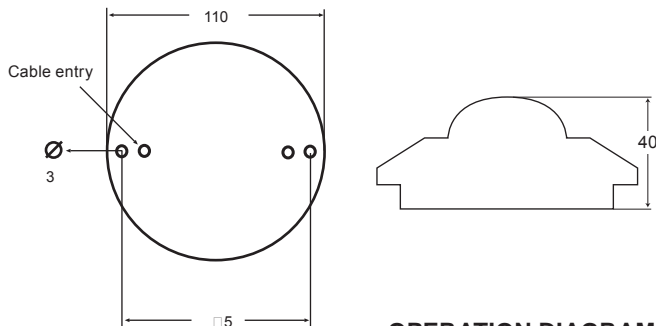
PIR-TF-25-360 is an occupancy sensor specially designed for the HVAC industry. It is housed in an elegant white enclosure. The lens has a detection angle of 360° in order to detect occupancy in a reliable way. The ON-and OFF-delay can be set by means of jumpers.

TECHNICAL DATA

Power supply:	24V AC/DC ±2V
Current consumption:	5mA
Alarm output:	1 changing contact, 24V AC/DC, 0,2A
Ambient temperature:	-20°C to +60°C
Weight:	85g
Moutage height:	2,4 - 4,2 m
Colour:	white
Detectable speed:	Between 0,1~3,0 m/sek.
Protection:	IP20

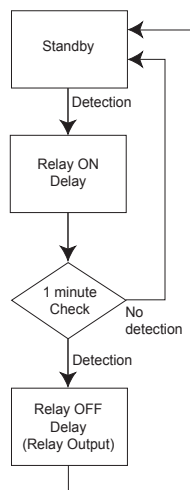
DIMENSIONS

(mm)

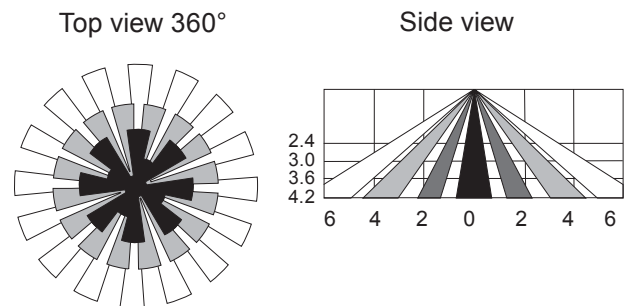


1 = LED is lit when the detector is activated.
LED is blinking if any of the jumpers for delay is taken away.

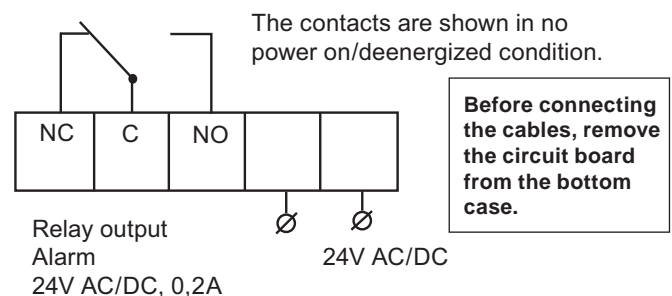
OPERATION DIAGRAM



DETECTION PATTERN



WIRING DIAGRAM



ON AND OFF DELAYS

	ON	OFF
■ A	0 sec	10 sec
■ B	10 sec	1 min
■ C	30 sec	5 min
■ D	1 min	10 min
■ E	5 min	20 min
■ F	10 min	30 min

Note! Before changing the delay settings, switch always off the supply voltage.

INSTALLATION HINTS

Do not install where the detector is exposed to direct sunlight or directly above strong sources of heat.

Make sure the detection area does not have obstruction (plants, large pieces of furniture, curtains etc.) which may block the pattern of coverage.

INSTALLATION & WALK TEST

Installation

1. Open the front cover by loosening the locking screw. Remove the circuit board from the bottom case.
2. Punch out the adequate knockouts and mount the bottom case firmly with the screw provided at the selected position in the ceiling.
3. Replace the circuit board and connect the wires to the corresponding terminals.
4. Remember to seal all unused cable entries and screw holes in order to stop false alarms which can be caused by insects, etc.
5. Replace front cover, then walk test can be proceeded.
6. Note! Before changing the delay settings, **switch off** the supply voltage.

Walk Test

Apply the power supply and wait 30 seconds for the unit to warm up.

The LED will blink (long and short) during warm up period. Ensure the jumper head connectors of ON & OFF delays are placed at "A" position (shortest time). After the warm up expires, walk across the detection zones (invisible) at normal speed. The LED will lit whenever the sensor detects the motion.

Location of the sensor

Mounting heights	2.4m	3.0m	3.6m	4.2m
Coverage (dia)	6.0m	7.5m	9.0m	10.5m